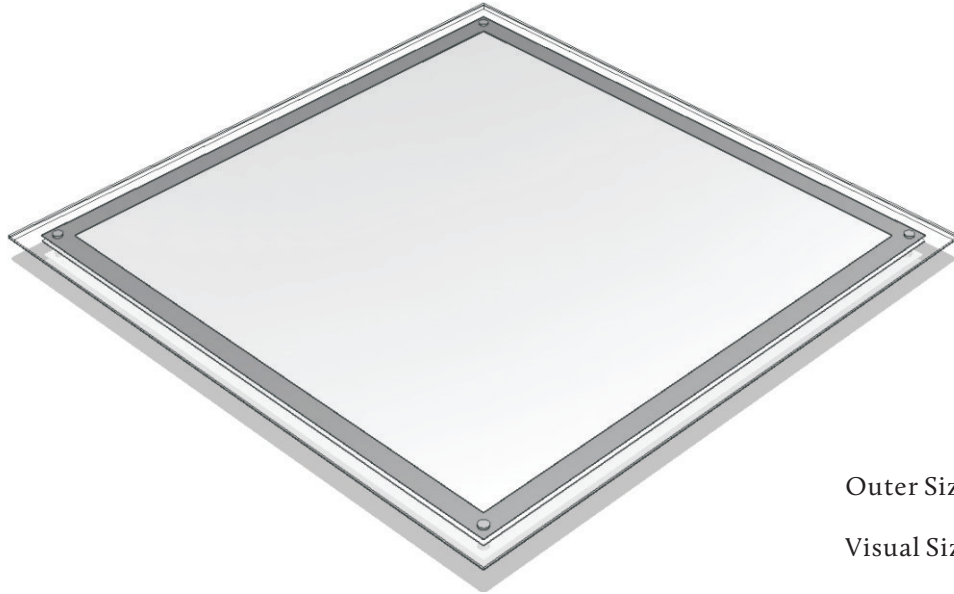


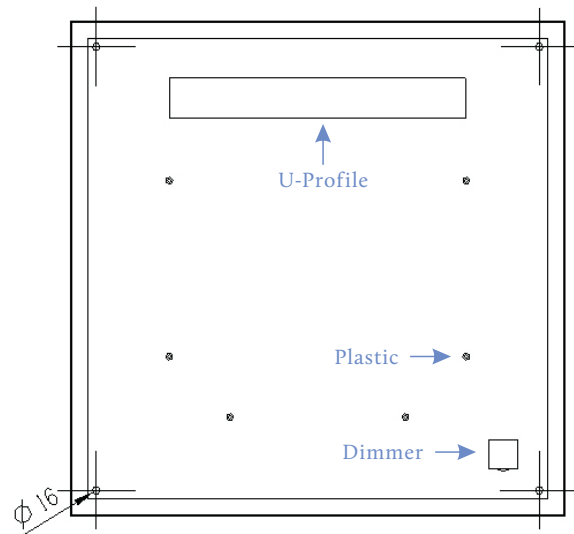
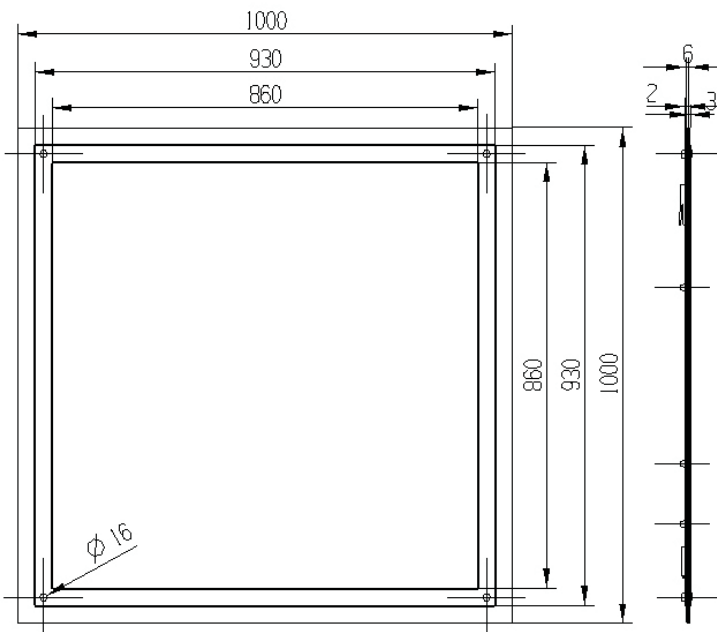
I x I



Outer Size: 1000x1000

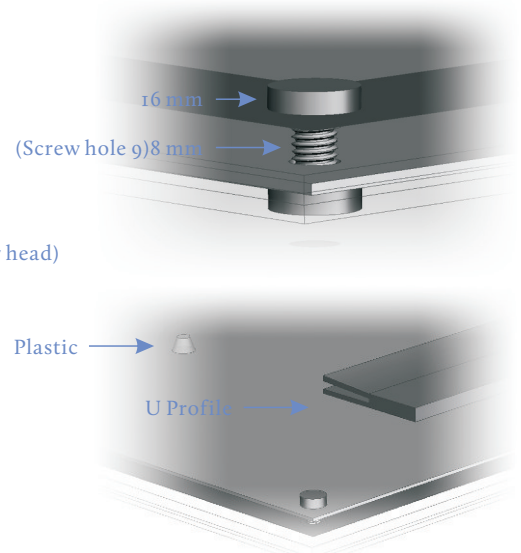
Visual Size: 860x860

Poster Size: 880x880 (Advise)



Details of IxI/A0/I250x700

1. Clear Frame: 35 mm
2. Silver Frame: 35mm
3. All Advertising screws are place on the Silver slik-print Frame.
4. According to the ceiling accessory, hole Diameter of the advertising screw is 9mm. (16-14mm screw head)
5. 3mm front panel/6mm LGP/2mm backboard.
6. With U profile like drawing.
7. The thickness of advertising screw can not over the U profile.
8. Four plastic parts to keep the light box thickness balance.
9. Cable and Dimmer mounted on right corner of the backboard, change to rotary dimmer.
10. White AC adapter with 5 meters cable. (Flat design)

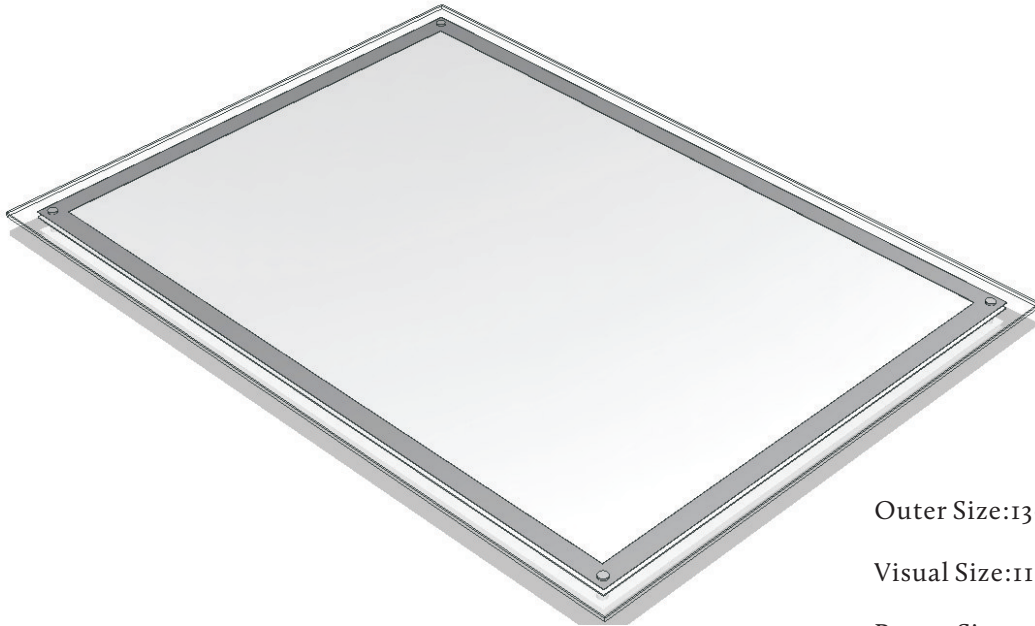




Innlights Displaysolutions

// www.innlights.de

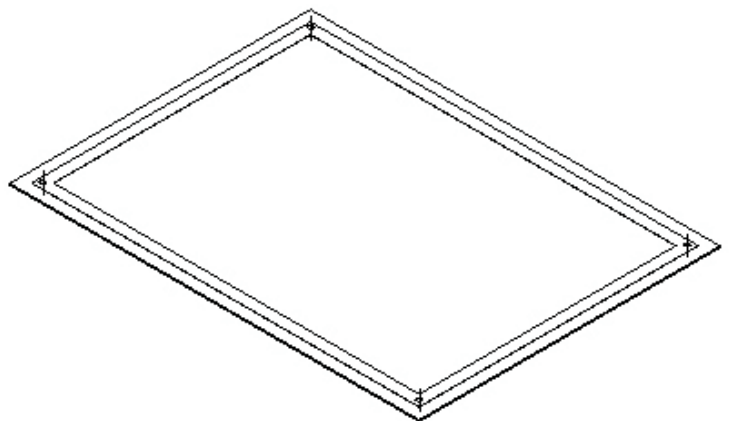
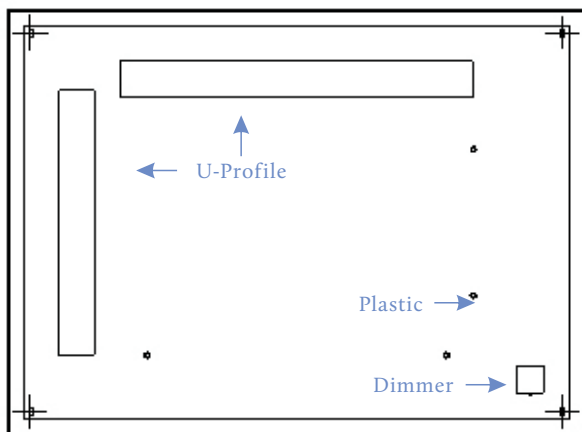
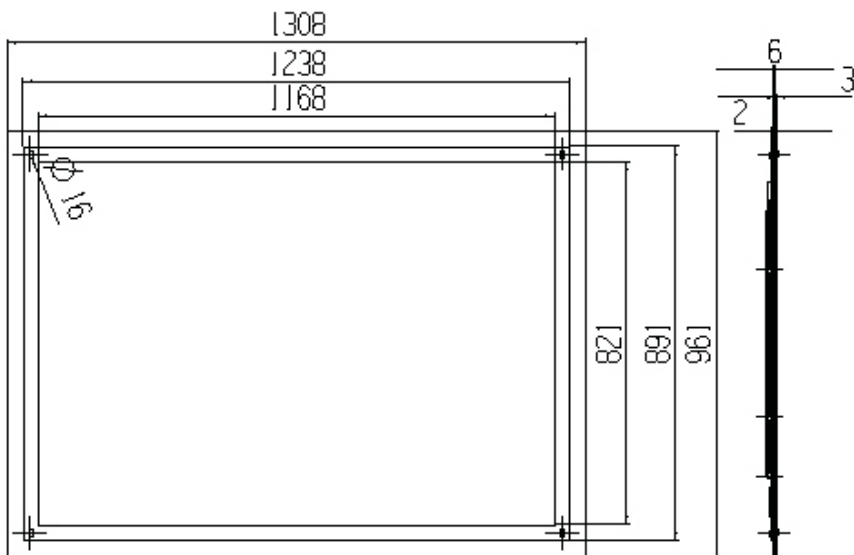
Ao



Outer Size: 1308x961

Visual Size: 1168x821

Poster Size: 1188x841 (Ao Advise)



Remarks:

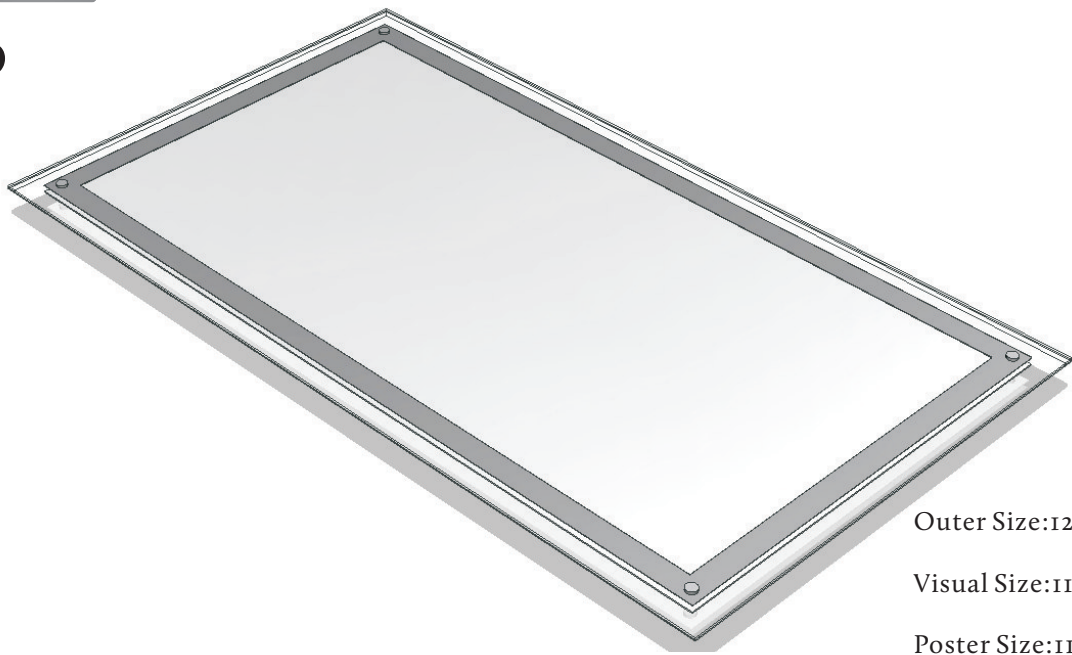
- 1. 2 pcs of U-profile for vertical and landscape Installation.
- 2. Cable outlet on the dimmer area.



Innlights Displaysolutions

// www.innlights.de

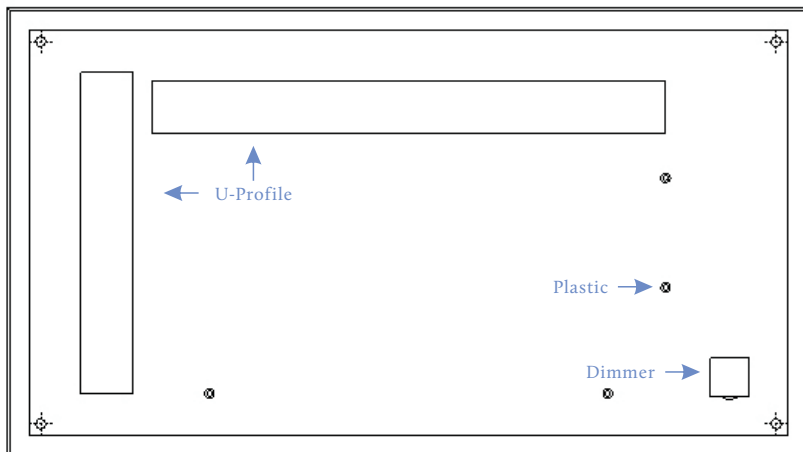
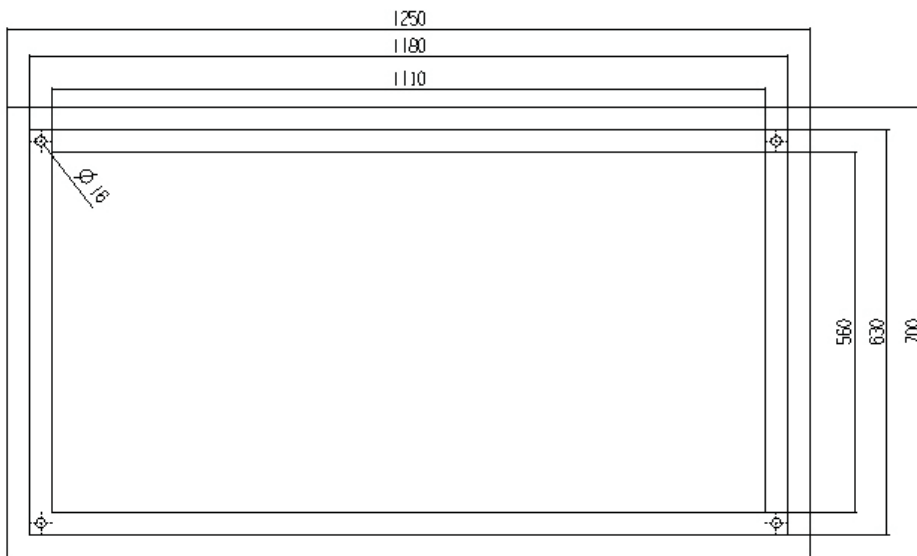
1250x700



Outer Size: 1250x700

Visual Size: 1110x560

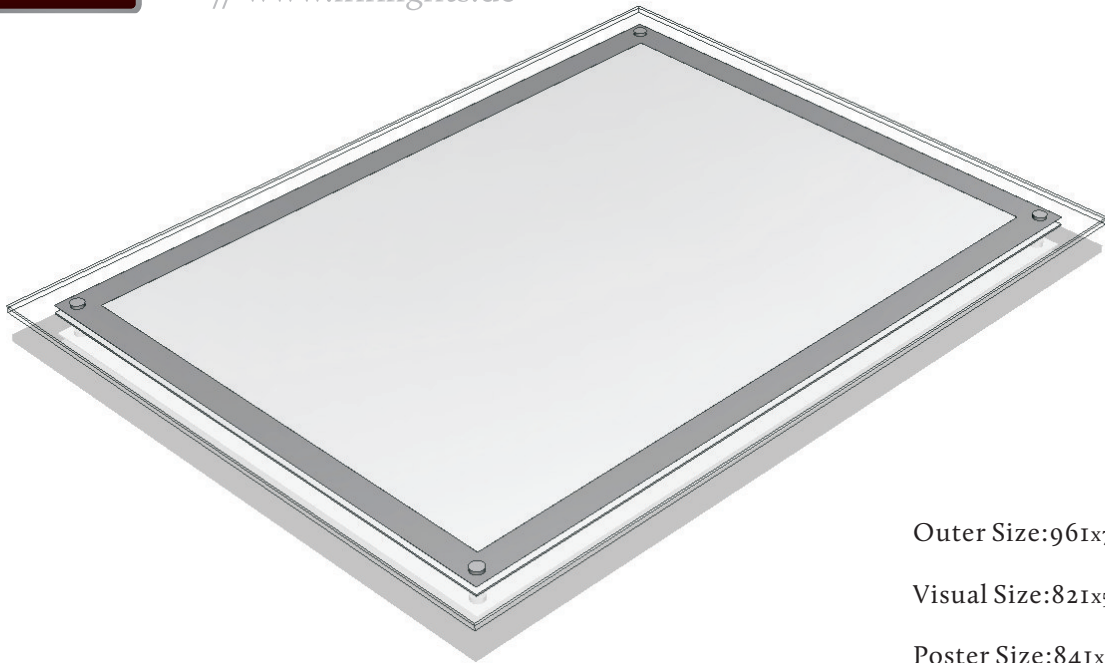
Poster Size: 1130x580 (Advise)



Remarks:

- 1. 2 pcs of U-profile for vertical and landscape Installation.
- 2. Cable outlet on the dimmer area.

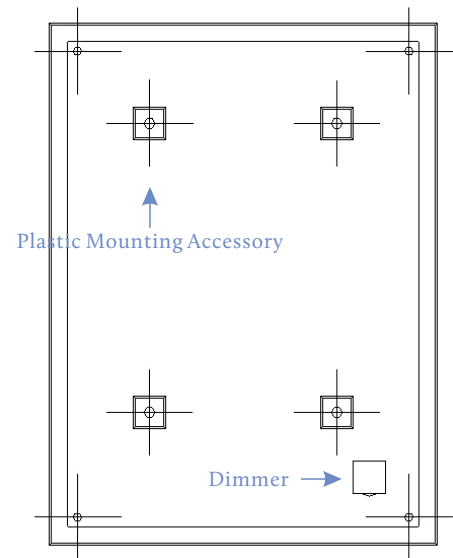
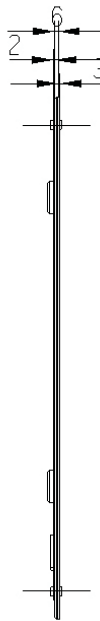
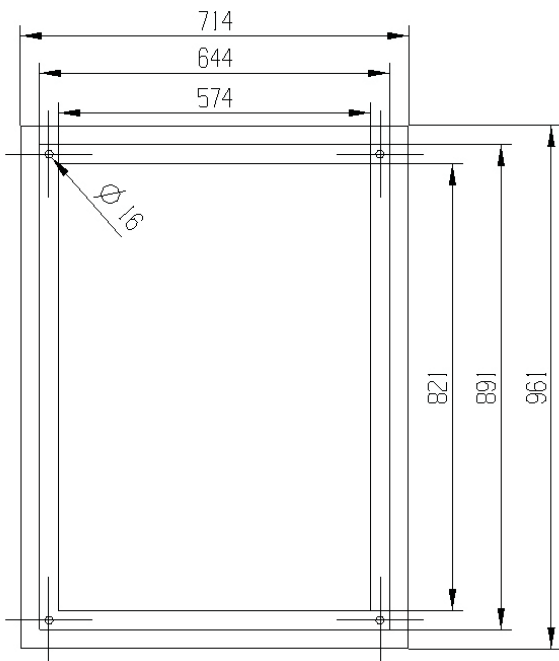
AI



Outer Size: 961x714

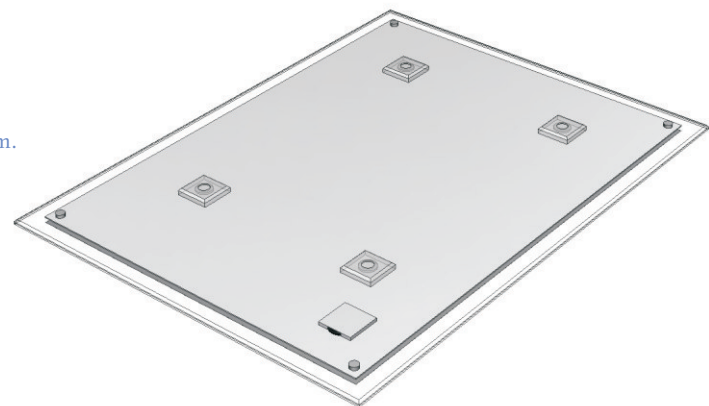
Visual Size: 821x574

Poster Size: 841x594 (AI Advise)



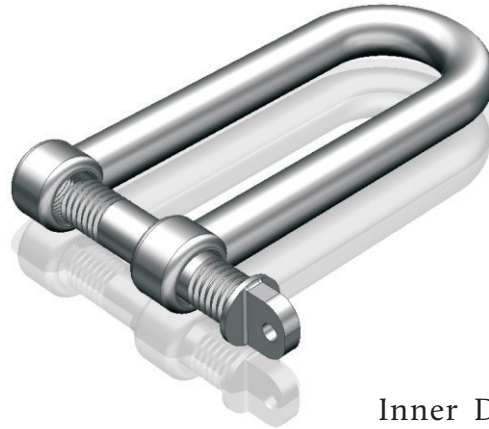
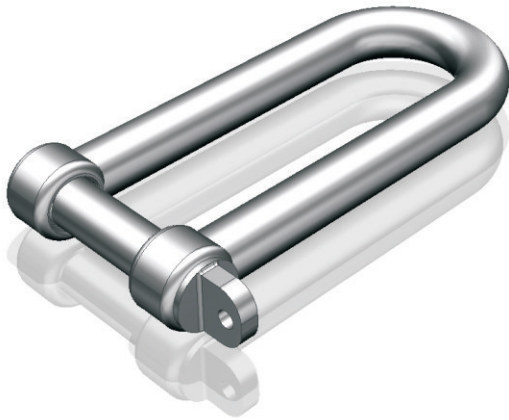
Details of AI

1. Clear Frame: 35 mm
2. Silver Frame: 35mm
3. All Advertising screws are place on the Silver slik-print Frame.
4. According to the ceiling accessory ,hole Diameter of the advertising screw is 9mm. (16-14mm screw head)
5. 3mm front panel/6mm LGP/2mm backboard.
6. Without U profile like drawing.
7. The thickness of advertising screw can not over the Plastic accessory.
8. Four plastic parts with holes for wall-mounted.
9. Cable and Dimmer mounted on right corner of the backboard, change to rotary dimmer.
10. White AC adapter with 5 meters cable. (Flat design)

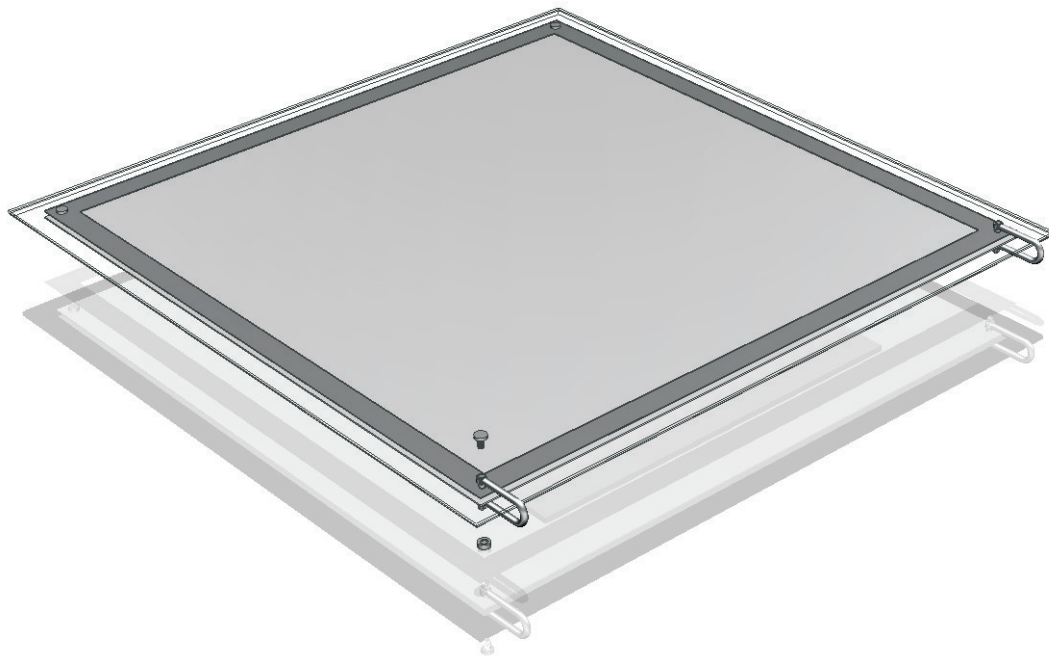




Ceiling Accessory



Inner Diameter : 8mm



Remarks

1. Advertising Screw and ceiling accessory Inner Diameter : 8mm
2. Two kind of metal parts need to be the same inner diameter.
3. Acrylic hole is 9mm.
4. Put out the advertising screws then install the ceiling screws.

Packing

1. All acrylic have to be controlled for the scratch, even little scratch must be rejected.
2. Whole light box cover by foils. (LGP no foil inside)
3. White cardboard packing.

